



ISO 9001:2000
ISO 14001:2004

Hybrid Pressure Gauge (EUGENE 301)

(Analog Indicator & Electronic Transmitter)

OUTLINE

EUGENE301 are reasonably priced general-purpose pressure gauge. These service a digital output and an analog indicator. They are applicable to air pressure, hydraulic pressure and other general pressure measurement applications.

FEATURES

- The electronic-noise have not an effect on the hybrid gauge.
- The case is made of extremely corrosion resistant.
- The outside frame is fastened with screws, so removal for maintenance and marking is easy.

SPECIFICATION 1

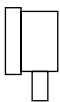
Fluid:

Gas or Liquid

Size:

100DIA.

Mounting:



Out signal:

RS422, 4mA~20mA(2-wire, 3-wire)

Connection:

1/2NPT, 1/4NPT

Wetted parts materials:

Bourdon tube (SUS316)

Socket (SUS 316)

Pressure range:

0~0.1 : 0~50MPa

-0.1~0 : -0.1~2MPa

Operating temperature:

-5~45℃

Accuracy:

±1.5%F.S.

Window:

Up to 10MPa range : Inorganic glass

10MPa range or over : Acrylic glass

Function:

- Analog indicator
- Electronic Transmitter
 - Cable Type
 - Connector Type

Case material & finish:

Cover SUS 304

Treatment: (Option)

Use no oil & water

Treated so that oils or moisture do not remain on the wetted parts.

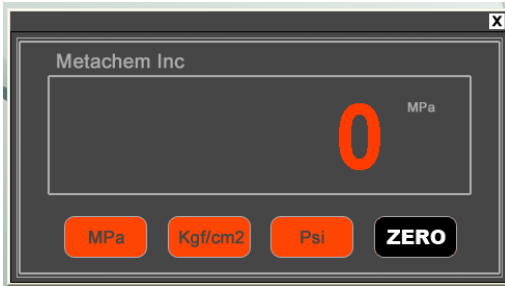
Throttle: (Option)

A throttle is installed to the inlet port to reduce pressure.

Dial scale specification: (Option)

Red line, Colored circle

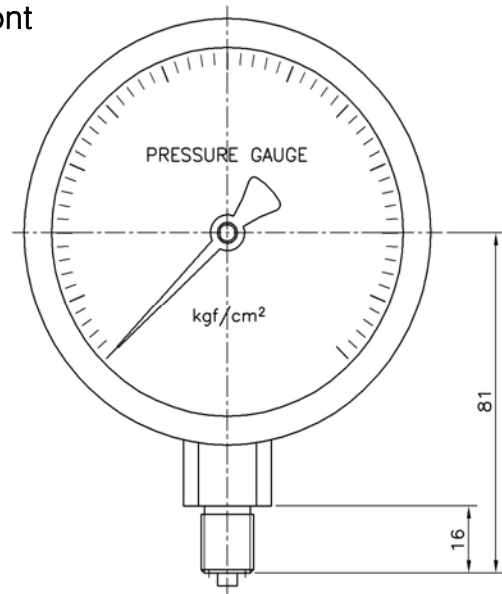
SPECIFICATION 2



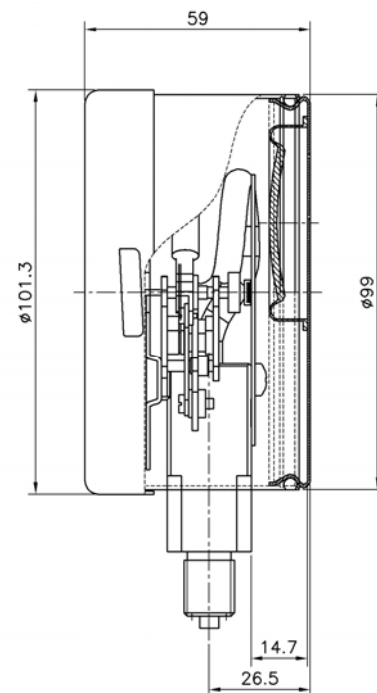
The number of graduations depends on the pressure range and size. Minimum graduations are shown in the table below.

Pressure range (MPa)	Size and accuracy
	100 DIA. JIS 1.6%
~0.1	0.002
~0.16	0.005
~0.2	—
~0.25	0.005
~0.3	—
~0.4	0.01
~0.6	0.01
~1	0.02
~1.5	—
~1.6	0.05
~2	—
~2.5	0.05
~3.5	—
~4	0.1
~5	—
~6	0.1
~7	—
~10	0.2
~15	—
~16	0.5
~25	0.5
~35	—
~40	1
~50	—
-0.1~0	0.002
~0.1	0.005
~0.16	0.005
~0.2	—
~0.25	0.1
~0.3	—
~0.4	0.01
~0.6	0.02
~1	0.02
~1.5	—
~1.6	0.05
~2	—
~2.5	0.05

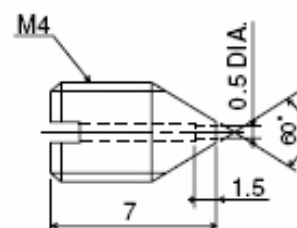
• Front



• Side

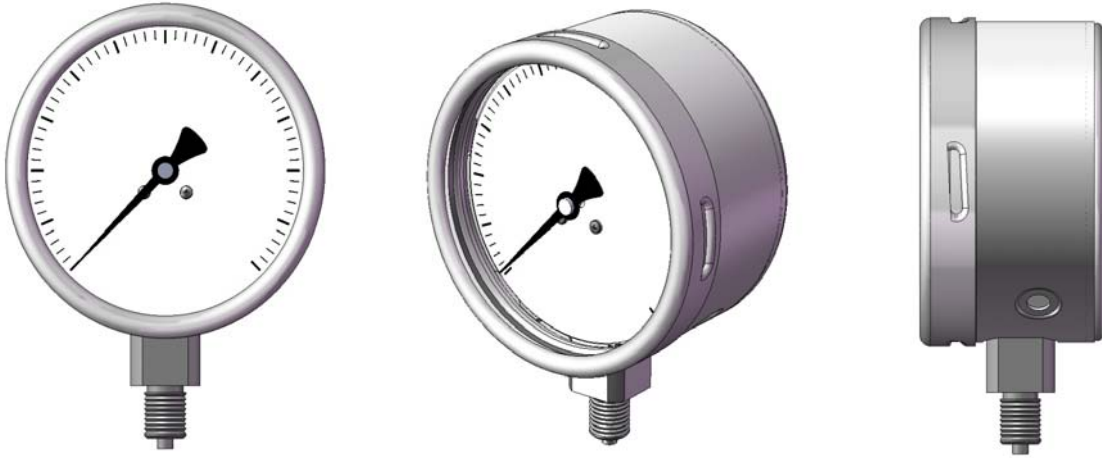


• Throttle

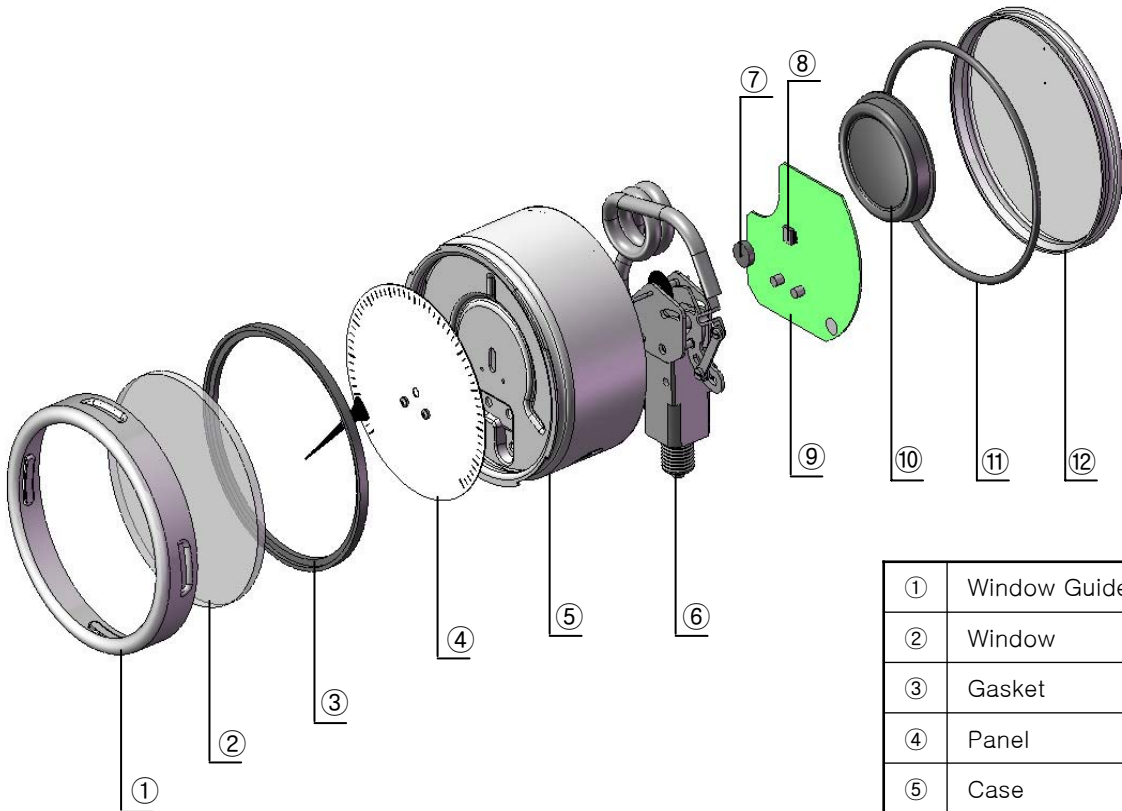


SPECIFICATION 3

- EUGENE 301



- Structure



①	Window Guide
②	Window
③	Gasket
④	Panel
⑤	Case
⑥	Bourdon Tube
⑦	Magnet
⑧	Sensor
⑨	PCB
⑩	Rubber Disk
⑪	O-Ring
⑫	CAP