



ISO 9001:2000  
ISO 14001:2004



# Hybrid Pressure Gauge (EUGENE 101)

(Analog & Digital Indicator)

## OUTLINE

EUGENE101 are reasonably priced general-purpose pressure gauge. These service a digital output and a analog indicator. They are applicable to air pressure, hydraulic pressure and other general pressure measurement applications.

## FEATURES

- The electronic-noise have not an effect on the hybrid gauge.
- The case is made of Polycarbonate.
- The outside frame is fastened with bolts, so removal for maintenance and marking is easy.

## SPECIFICATION 1

### Fluid:

Gas or Liquid

### Size:

60DIA.

### Mounting:



### Out signal:

- Analog: 50mm panel
- Digital: 3-1/2 LCD

### Connection:

1/8PT, 1/2PT, 1/4PT

### Wetted parts materials:

- Bourdon tube & Socket
- SUS316
- Brass 3604

### Pressure range:

- 0~0.1 : 0~5MPa
- 0.1~0 : -0.1~2MPa

### Operating temperature:

-5~45°C

### Accuracy:

- Brass: 1.6%F.S.
- SUS316: 1.0%F.S.

### Power

- Battery 3.0V (AAAX2)
- Power DC12V

### Window:

Polycarbonate (Red, Blue, Black)

### Function:

- Analog indicator
- Digital Indicator
- Sound & Level meter (Option)

### Case material & finish:

Case Polycarbonate

### Treatment: (Option)

Use no oil & water

Treated so that oils or moisture do not remain on the wetted parts.

### Throttle: (Option)

A throttle is installed to the inlet port to reduce pressure.

### Dial scale specification: (Option)

Red line, Colored circle

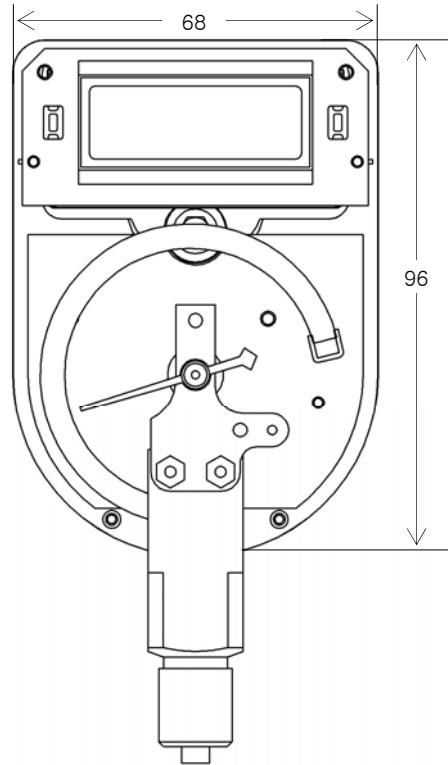
## SPECIFICATION 2



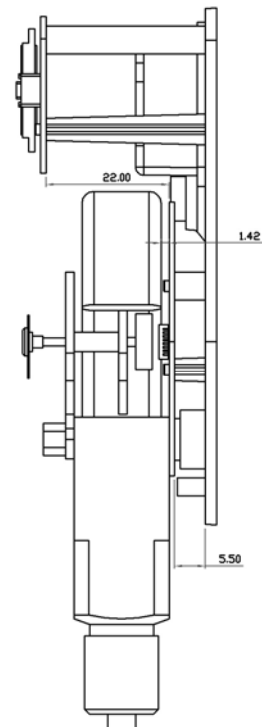
The number of graduations depends on the pressure range and size. Minimum graduations are shown in the table below.

Pressure range (MPa)	Size and accuracy
	60 DIA. JIS 1.6%
~0.1	0.002
~0.16	0.005
~0.2	—
~0.25	0.005
~0.3	—
~0.4	0.01
~0.6	0.01
~1	0.02
~1.5	—
~1.6	0.05
~2	—
~2.5	0.05
~3.5	—
~4	0.1
~5	—
~6	0.1
~7	—
~10	0.2
~15	—
~16	0.5
~25	0.5
~35	—
~40	—
~50	—
-0.1~0	0.002
~0.1	0.005
~0.16	0.005
~0.2	—
~0.25	0.01
~0.3	—
~0.4	0.01
~0.6	0.02
~1	0.02
~1.5	—
~1.6	0.05
~2	—
~2.5	0.05

### • Front

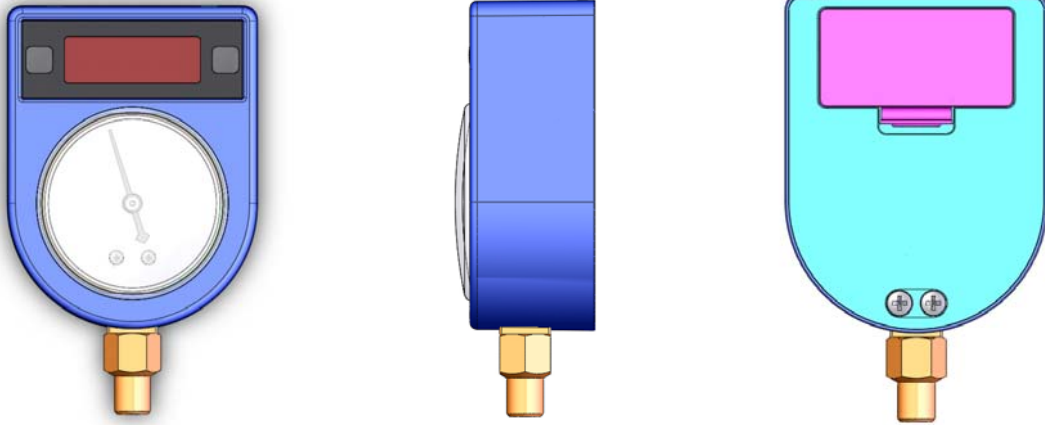


### • Side

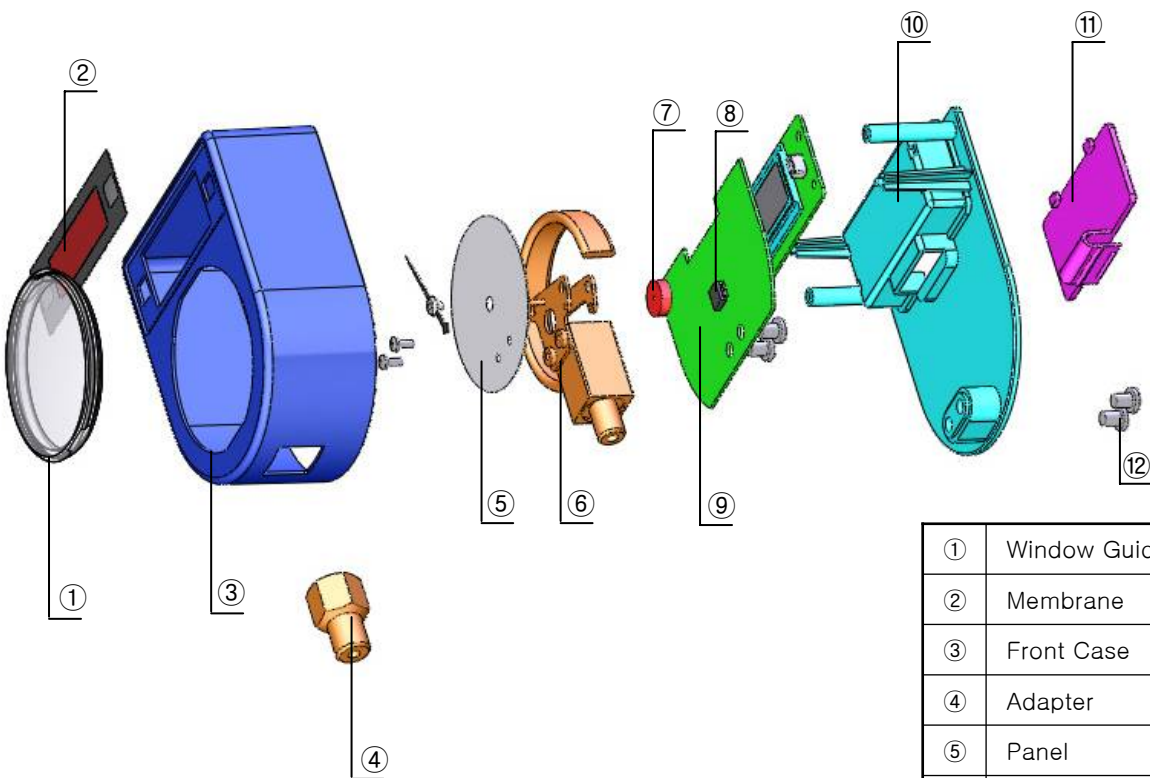


## SPECIFICATION 3

- EUGENE  
101



- Structure



①	Window Guide
②	Membrane
③	Front Case
④	Adapter
⑤	Panel
⑥	Bourdon Tube
⑦	Magnet
⑧	Magnet Sensor
⑨	Digital Parts
⑩	Back Case
⑪	Battery Cap
⑫	Bolt